

HG4F Specifications

General Specifications

| Type | Item | Description |
|-----------------------------|------------------------------|--|
| Standards | Safety standards | UL508, UL1604, CSA C22.2, No.213, CE |
| | EMC standards | IEC/EN61131-2, IEC/EN61000-6-4, IEC/EN61000-6-2, CE |
| Electrical | Rated voltage | 24V DC (Suggested power supply - IDEC PS5R Series) |
| | Voltage variation range | 80 to 120% of rated voltage (including ripple) |
| | Power consumption | 25W maximum (at the rated voltage) |
| | Momentary power interruption | 10 msec maximum, level: PS-2 |
| | Inrush current | 15A maximum (cold start) |
| | Dielectric strength | 1,500V AC, 10mA for 1 minute (between power terminals and FG) |
| | Insulation resistance | 10M Ω min. (500VDC megger) (between power terminals and FG) |
| Environmental | Operating temperature range | 0-45°C (no freezing) |
| | Operating humidity range | 20-85% RH (no condensation) |
| | Storage temperature | -20 to 60°C (no freezing) |
| | Storage humidity | 20-85% RH (no condensation) |
| | Degree of protection | IP66, NEMA 4, 4X, and 13 (front panel) |
| | Altitude | 0-2000m (operation), 0-3000m (transport) - (IEC61131-2) |
| | Vibration resistance | 10 to 55Hz, 9.8 m/s ² (2 hrs. each in X, Y, & Z axes) |
| | Shock resistance | 147 m/s ² (5 times in the X, Y, & Z axes) |
| | Pollution degree | Pollution degree 2 (IEC60664-1) |
| | Terminal | Power supply terminal: M4 screw. Tightening Torque 1.0 to 1.3 N-m |
| | Structural | Panel cutout dimensions (WxH) |
| Exterior dimensions (WxHxD) | | 348mm x 270mm x 58mm |
| Weight | | Approx. 3.4kg |

Part Numbers For HG4F

| Part Number | Description |
|------------------------|---|
| HG4F-JT22TFW | HG4F Color 12.1" operator interface |
| HG4F-JT22TFW-DH485-500 | HG4F 12.1" Color TFT OI with Allen Bradley DH-485 for SLC500 PLCs |
| HG9Y-ZSS2W | WindOI-NV2 Software |

HG4F Cables

| Part Number | Description |
|-------------|--|
| HG9Z-XCM1A | Programming Cable for HG2F/3F/4F series (from PC to HG4F) |
| HG9Z-3C115A | Cable between IDEC Micro ³ /MicroSmart (FC4A-PC2) PLCs and HG2F/3F/4F, 5 ft. |
| HG9Z-3C125A | Cable between IDEC Micro ³ C/ONC/MicroSmart (port 2) PLCs and HG2F/3F/4F, 5 ft. |
| FC4A-KC2CA | Cable between IDEC MicroSmart (port 1 or 2) and HG2F/3F/4F, 5 ft. |
| HG9Z-2C145A | Cable between IDEC Micro ³ C/ONC/MicroSmart (RS485) PLCs and HG2F/3F/4F, 5 ft. |
| HG9Z-3C135A | Cable between Mitsubishi A Series or Omron (link) and HG2F/3F/4F, 5 ft. |
| HG9Z-3C145A | Cable between Mitsubishi A Series (direct or link) and HG2F/3F/4F, 5 ft. |
| HG9Z-3C155A | Cable between Omron C Series and HG2F/3F/4F, 5 ft. |
| HG9Z-2C125A | Cable between AB-SLC 503/504 Series and HG2F/3F/4F, 5 ft. |
| HG9Z-2C135A | Cable between AB-Micrologix Series and HG2F/3F/4F, 5 ft. |
| HG9Z-2C155A | Cable between Siemens S7-200 Series and HG2F/3F/4F, 5 ft. |

HG4F Accessories

| Part Number | Description |
|--------------|--------------------------------------|
| HG9Z-4DAPN02 | Protective Sheet for HG4F (2 pack) |
| HG9Z-4K1PN10 | Mounting Clip for HG4F (10 pack) |
| HG9Z-4FB | Replacement Backlight for HG4F |
| HG9Z-2G1 | O/I Communication Link Unit for HG4F |
| HG9Z-3P102 | Digital I/O Expansion Unit for HG4F |
| HG9Z-MF32 | HG3F/HG4F Compact Flash Card (32MB) |

HG4F Drivers (included with software)

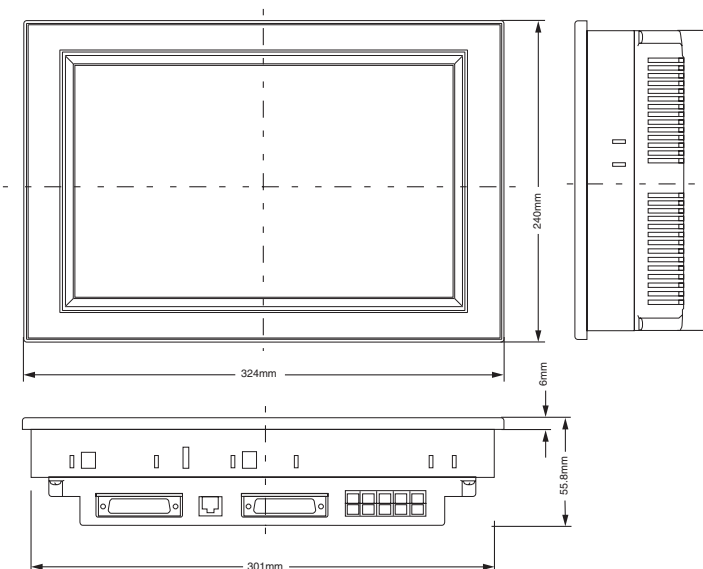
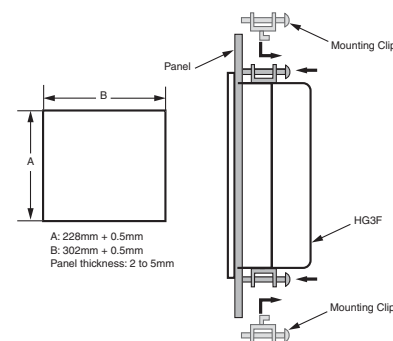
IDEC • Allen Bradley - DF1, and DH485 • Omron • Mitsubishi • Siemens • Modbus-RTU • Keyence • GE-Fanuc (SNPX)
More drivers available at www.idec.com/usa

A Perfect Ten. The HG3F model has every feature of the HG4F, from Ethernet to Compact Flash to the 256 bright backlit color screen, in a slightly smaller package. With a 10.4-inch viewable LCD screen and 768 touch regions, the HG3F is an excellent tool for any application, especially for smaller space requirements that still need a high-profile display. The built-in library of graphics can integrate with any screen or message, making the visuals stand out even more against the bright screen. Like the HG4F, the HG3F has a field-replaceable backlight and a UL1604 rating for hazardous locations.



HG3F

- 10.4" TFT LCD touch screen with 768 touch regions
- 256 colors with 640x320 pixel resolution
- 8 MB of memory, Compact Flash support
- RS-232, RS-485 and RS-422 compatibility
- Built-in 10BaseT Ethernet port and a parallel port
- UL1604 for hazardous locations; NEMA 4, 4X, 13 and IP66 protection
- UL/c-UL Listed, CE marked
- Alarm, Trend and Recipe support
- Pass through communications
- Built-in real time clock, replaceable back light



HG3F Specifications

General Specifications

| Type | Item | Description |
|-----------------------------|------------------------------|---|
| Standards | Safety standards | UL508, UL1604, CSA C22.2, No.213, CE |
| | EMC standards | IEC/EN61131-2, IEC/EN61000-6-4, IEC/EN61000-6-2, CE |
| Electrical | Rated voltage | 24V DC (Suggested power supply - IDEC PS5R Series) |
| | Voltage variation range | 80 to 120% of rated voltage (including ripple) |
| | Power consumption | 25W maximum |
| | Momentary power interruption | 10 msec maximum, Level: PS-2 |
| | Inrush current | 15A maximum (cold start) |
| | Dielectric strength | 1,500V AC, 10mA for 1 minute (between power terminals and FG) |
| | Insulation resistance | 10M Ω min. (500VDC megger) (between power terminals and FG) |
| Environmental | Operating temperature range | 0-50°C (no freezing) |
| | Operating humidity range | 20-85% RH (no condensation) |
| | Storage temperature | -20 to 60°C (no freezing) |
| | Storage humidity | 20-85% RH (no condensation) |
| | Degree of protection | IP66, NEMA 4, 4X, and 13 (front panel) |
| | Altitude | 0-2000m (operation), 0-3000m (transport) - (IEC61131-2) |
| | Vibration resistance | 10 to 55Hz, 9.8 m/s ² (2 hrs. each in X, Y, & Z axes) (IEC60068-2-6) |
| | Shock resistance | 147 m/s ² (5 times in the X, Y, & Z axes) (IEC60068-2-27) |
| | Pollution degree | Pollution degree 2 (IEC60664-1) |
| | Terminal | Power supply terminal: M4 screw. Tightening Torque 1 to 1.3 N·m |
| | Structural | Panel cutout dimensions (WxH) |
| Exterior dimensions (WxHxD) | | 324mm x 240mm x 55.8mm |
| Weight | | Approx. 2.8kg |

Part Numbers For HG3F

| Part Number | Description |
|------------------------|---|
| HG3F-FT22TFW | HG3F Color 10.4" operator interface |
| HG3F-FT22TFW-DH485-500 | HG3F 10.4" Color TFT OI with Allen Bradley DH-485 for SLC500 PLCs |
| HG9Y-ZSS2W | WindO/I-NV2 Software |

HG3F Cables

| Part Number | Description |
|-------------|--|
| HG9Z-XCM1A | Programming Cable for HG2F/3F/4F series (from PC to HG3F) |
| HG9Z-3C115A | Cable between IDEC Micro ³ /MicroSmart (FC4A-PC2) PLCs and HG2F/3F/4F, 5 ft. |
| HG9Z-3C125A | Cable between IDEC Micro ³ C/ONC/MicroSmart (port 2) PLCs and HG2F/3F/4F, 5 ft. |
| FC4A-KC2CA | Cable between IDEC MicroSmart (port 1 or 2) and HG2F/3F/4F, 5 ft. |
| HG9Z-2C145A | Cable between IDEC Micro ³ C/ONC/MicroSmart (RS485) PLCs and HG2F/3F/4F, 5 ft. |
| HG9Z-3C135A | Cable between Mitsubishi A Series or Omron (link) and HG2F/3F/4F, 5 ft. |
| HG9Z-3C145A | Cable between Mitsubishi A Series (direct or link) and HG2F/3F/4F, 5 ft. |
| HG9Z-3C155A | Cable between Omron C Series and HG2F/3F/4F, 5 ft. |
| HG9Z-2C125A | Cable between AB-SLC 503/504 Series and HG2F/3F/4F, 5 ft. |
| HG9Z-2C135A | Cable between AB-Micrologix Series and HG2F/3F/4F, 5 ft. |
| HG9Z-2C155A | Cable between Siemens S7-200 Series and HG2F/3F/4F, 5 ft. |

HG3F Accessories

| Part Number | Description |
|--------------|--------------------------------------|
| HG9Z-3DAPN02 | Protective Sheet for HG3F (2 pack) |
| HG9Z-4K1PN10 | Mounting Clip for HG3F (10 pack) |
| HG9Z-3FB | Replacement Backlight for HG3F |
| HG9Z-2G1 | O/I Communication Link Unit for HG3F |
| HG9Z-3P102 | Digital I/O Expansion Unit for HG3F |
| HG9Z-MF32 | HG3F/HG4F Compact Flash Card (32MB) |

HG3F Drivers (included with software)

IDEC • Allen Bradley - DF1, and DH485 • Omron • Mitsubishi • Siemens • Modbus-RTU • Keyence • GE-Fanuc (SNPX)
More drivers available at www.idec.com/usa

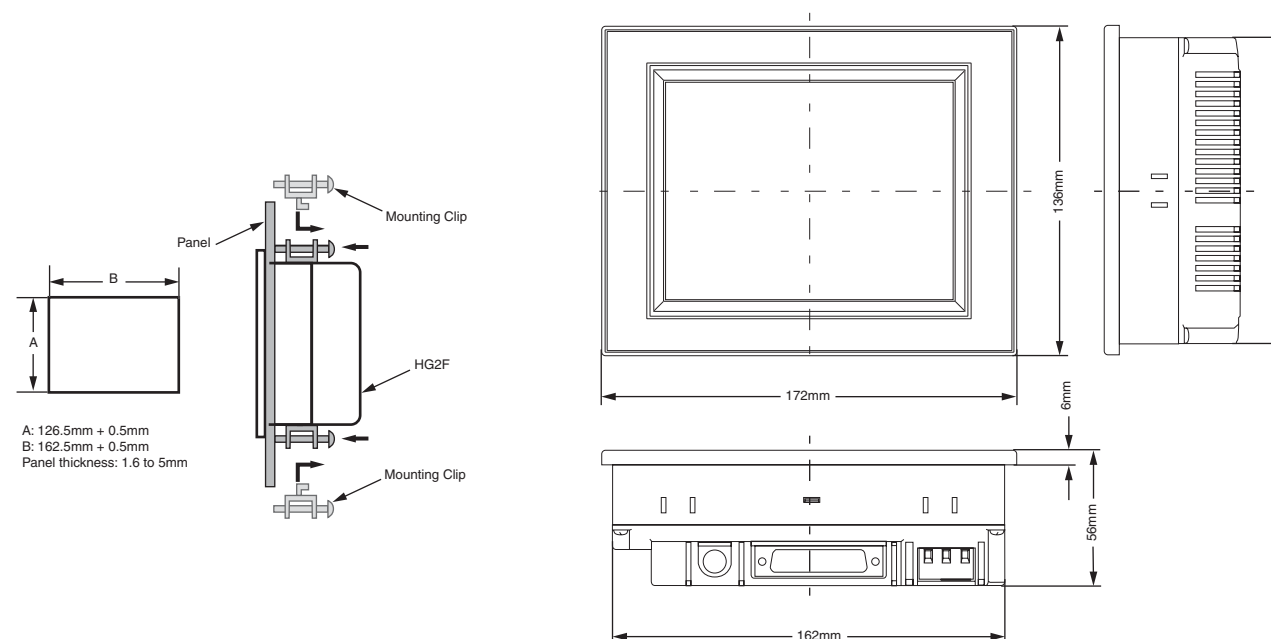
Faster. Brighter. Slimmer.

The HG2F is a 256-color, full-function touch-screen with an amazing 192 touch regions and a replaceable backlight, all put together in a slim and sleek housing. Complete user configuration is easy using our Wind-OI/NV 2 software and the internal library of bitmap images. There are four available models, with a monochrome or 256-color screen, each compact and lightweight with the same great features. The HG2F-C models also come with IDEC's patented CC CLICK™ technology, providing unique tactile feedback (for more about CC CLICK™, see page 19).



HG2F

- 5.7" STN LCD touch screen with 192 touch regions
- Available in 256 color or monochrome; 320x240 pixel resolution
- RS-232, RS-485 and RS-422 compatibility, pass through communications
- UL1604 for hazardous locations; IP65 protection
- UL/c-UL Listed, CE marked
- Alarm, Trend and Recipe support
- Built-in real time clock, replaceable back light



HG2F Specifications

General Specifications

| Type | Item | Description | |
|--------------------------|------------------------------|--|---|
| Standards | Safety standards | UL508, UL1604, CSA C22.2 No. 1010.1, No.213, IEC/EN61131, CE | |
| | EMC standards | EN50081-2, IEC/EN61131-2, IEC/EN61000-6-2, CE | |
| Electrical | Rated voltage | 24V DC (Suggested power supply - IDEC PS5R Series) | |
| | Voltage variation range | 85 to 120% of rated voltage (including ripple) | |
| | Power consumption | 10W maximum (at the rated voltage) | |
| | Momentary power interruption | 10 msec maximum, Level: PS-2 | |
| | Inrush current | 20A maximum | |
| | Dielectric strength | 1,000V AC, 10mA for 1 minute (between power terminals and FG) | |
| | Insulation resistance | 50M Ω min. (500VDC megger) (between power terminals and FG) | |
| | Environmental | Operating temperature range | 0-50°C (no freezing) |
| Operating humidity range | | 30-85% RH (no condensation) | |
| Storage temperature | | -20 to 60°C (no freezing) | |
| Storage humidity | | 30-85% RH (no condensation) | |
| Degree of protection | | IP65 | |
| Altitude | | 0-2000m (operation), 0-3000m (transport) (IEC61131-2) | |
| Vibration resistance | | 10 to 55Hz, 9.8 m/s ² (2 hrs. each in X, Y, & Z axes: IEC60068-2-6) | |
| Shock resistance | | 147 m/s ² (5 times in the X, Y, & Z axes: IEC60062-2-27) | |
| Pollution degree | | Pollution degree 2 (IEC60664-1) | |
| Terminal | | Power supply terminal: M3 screw. Tightening Torque 0.5 to 0.6 N-m | |
| Structural | | Panel cutout dimensions (WxH) | (162.5mm + 0.5) x (126.5mm + 0.5) |
| | | Exterior dimensions (WxHxD) | 6.77" (172mm) x 5.35" (136mm) x 2.2" (56mm) |
| | Weight | Approx. 800g | |

Part Numbers For HG2F

| Part Number | Description |
|-----------------------|---|
| HG2F-SS22VF | HG2F 5.7" Color OI |
| HG2F-SB22VF | HG2F 5.7" Monochrome OI |
| HG2F-SS52VF | HG2F Color OI with CC-Switch |
| HG2F-SB52VF | HG2F Monochrome OI with CC-Switch |
| HG2F-SS22VF-DH485-500 | HG2F 5.7" Color OI with Allen Bradley DH-485 for SLC500 PLCs |
| HG2F-SB22VF-DH485-500 | HG2F 5.7" MONOCHROME OI with Allen Bradley DH-485 for SLC500 PLCs |
| HG9Y-ZSS2W | WindO/I-NV2 Software |

HG2F Cables

| Part Number | Description |
|-------------|--|
| HG9Z-XCM1A | Programming Cable for HG2F/3F/4F series (from PC to HG3F) |
| HG9Z-3C115A | Cable between IDEC Micro ³ /MicroSmart (FC4A-PC2) PLCs and HG2F/3F/4F, 5 ft. |
| HG9Z-3C125A | Cable between IDEC Micro ³ C/ONC/MicroSmart (port 2) PLCs and HG2F/3F/4F, 5 ft. |
| FC4A-KC2CA | Cable between IDEC MicroSmart (port 1 or 2) and HG2F/3F/4F, 5 ft. |
| HG9Z-2C145A | Cable between IDEC Micro ³ C/ONC/MicroSmart (RS485) PLCs and HG2F/3F/4F, 5 ft. |
| HG9Z-3C135A | Cable between Mitsubishi A Series or Omron (link) and HG2F/3F/4F, 5 ft. |
| HG9Z-3C145A | Cable between Mitsubishi A Series (direct or link) and HG2F/3F/4F, 5 ft. |
| HG9Z-3C155A | Cable between Omron C Series and HG2F/3F/4F, 5 ft. |
| HG9Z-2C125A | Cable between AB-SLC 503/504 Series and HG2F/3F/4F, 5 ft. |
| HG9Z-2C135A | Cable between AB-Micrologix Series and HG2F/3F/4F, 5 ft. |
| HG9Z-2C155A | Cable between Siemens S7-200 Series and HG2F/3F/4F, 5 ft. |

HG2F Accessories

| Part Number | Description |
|-------------|--------------------------------------|
| HG9Z-2D2 | Protective Sheet for HG2F (5 pack) |
| HG9Z-2K1 | Mounting Clip for HG2F (1 per pack) |
| HG9Z-2B1 | Replacement Backlight for HG2F |
| HG9Z-2G1 | O/I Communication Link Unit for HG2F |
| HG9Z-2P101 | Digital I/O Expansion Unit for HG2F |

HG2F Drivers (included with software)

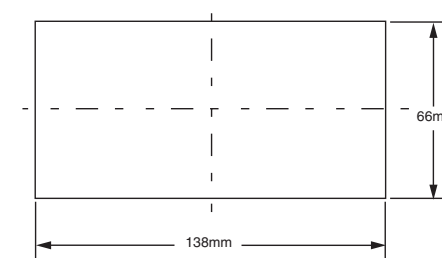
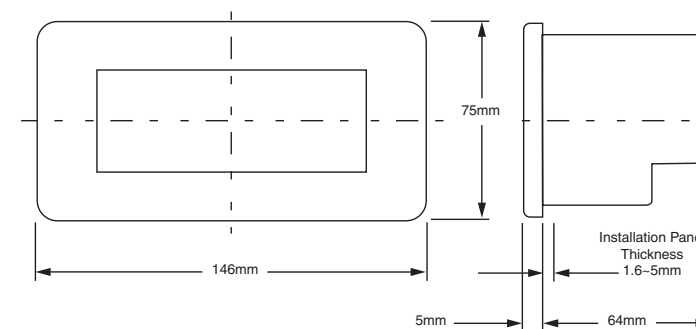
IDEC • Allen Bradley - DF1, and DH485 • Omron • Mitsubishi • Siemens • Modbus-RTU • Keyence • GE-Fanuc (SNPX)
More drivers available at www.idec.com/usa

Just Right. Good things come in small packages, like the HG1B operator interface. The full-touch monochrome LCD screen has 48 distinct touch regions with a response time of 300 msec. Not only does it have bitmap and graphic display capabilities or bar graph indicators, you can choose from a library of images and graphics to create the perfect screens. To help you communicate with operators, the HG1B has an internal buzzer and the screen can be configured to flash at different rates depending on the severity of the alarm. The HG1B can link to PLCs or other machines through RS232 or RS485 ports, both built-in, and drivers are also available for non-IDEDEC PLCs.



HG1B

- Compact housing — 5.7" x 3" x 2.8"
- 127KB memory, configure up to 100 pages
- Internal buzzer capable of up to 32 alarms
- Built-in communication ports (RS232, RS485 and RS422)
- Bar graph indicators
- Programmable with Wind-OI/NV2 (see page 18)



HG1B Specifications

General Specifications

| Type | Item | Description |
|-------------------------------|-------------------------------|---|
| Standards | Safety standards | UL508, CSA C22.2 No.142, IEC/EN61131, CE |
| | EMC standards | EN50081-2, IEC/EN61131-2 |
| Electrical | Rated voltage | 24V DC ripple factor: 10% maximum (Suggested power supply - IDEC PS5R Series) |
| | Voltage variation range | 85 to 120% of rated voltage |
| | Power consumption | 10W maximum |
| | Momentary power interruption | 10 ms maximum |
| | Inrush current | 10A maximum |
| | Dielectric strength | 1500V AC, 10ms, 1 hour (between power or I/O terminal and ground) |
| | Insulation resistance | 50M Ω min. (500V DC megger) between power or I/O terminal and ground |
| Environmental | Operating temperature range | 0-55°C (operation) 0-50°C (display contrast) |
| | Operating humidity range | 10-90% relative humidity (avoid condensation) |
| | Degree of protection | IP65 |
| | Storage temperature | -20 to 70°C |
| | Storage humidity | 5-90% relative humidity (avoid condensation) |
| | Vibration resistance | 10 to 55Hz, 10 m/s ² (2 hrs. each in X, Y, & Z axes) |
| | Noise resistance | IEC1000-4-4 compliant Between power terminal and ground: 1k V p-p, 1 μ s, 1ns (with noise simulator) |
| | Static electricity resistance | IEC 61000-4-2 compliant, 6kV (using a static electricity simulator) |
| | Operating atmosphere | No corrosive gasses |
| | Structural | Installation |
| Panel cutout dimensions (WxH) | | 138mm x 68mm |
| Exterior dimensions (WxHxD) | | 146mm x 75mm x 70mm |
| Weight | | Approx. 450g |

Part Numbers For HG1B

| Part Number | Description |
|-------------|--------------------------|
| HG1B-SB22WF | RS-232C Host/RS-485 Host |
| HG1B-SB22JF | RS422 Host |
| HG9Y-ZSS2W | WindOI-NV2 Software |

HG1B Cables

| Part Number | Description |
|--------------------------|--|
| HG9Z-XCM1A or FC2A-KC4C | Programming cable for HG1B series (PC to operator interface) |
| HG9Z-XC12A | Cable between HG1B series (RS232) and FA series IDEC PLC |
| HG9Z-XC19A | Cable between HG1B series (RS485) and IDEC Micro ³ PLC |
| HG9Z-XC11A or HG9Z-XC14A | Cable between HG1B series (RS232) and IDEC Micro ³ PLC (FC2A-KC2 cable is required) |
| HG9Z-XC183 | Cable between HG1B series (RS232) and IDEC Micro ³ C/ONC/MicroSmart (port2) PLCs |
| HG9Z-XC100 | Cable between HG1B series (RS232) and AB-SLC 503/504 PLC |
| FC4A-KC1CA | Cable between HG1B series (RS232) and IDEC MicroSmart (port1 and port2) |
| HG9Z-XC300 | Cable between HG1B series (RS232) and Aromat FPO PLC |
| HG9Z-XC400 | Cable between HG1B series (RS232) and Koyo DL240 PLC |
| HG9Z-XC500 | Cable between HG1B series (RS232) and AB-Micrologix PLCs |
| HG9Z-XC305 | Cable between HG1B series (RS232) and Mitsubishi FX2N |

HG1B Divers (included with software)

IDEC • Allen Bradley - DF1 • Omron • Mitsubishi • Modicon • Aromat • Siemens • PLC Direct • Keyence
More drivers available at www.idec.com/usa